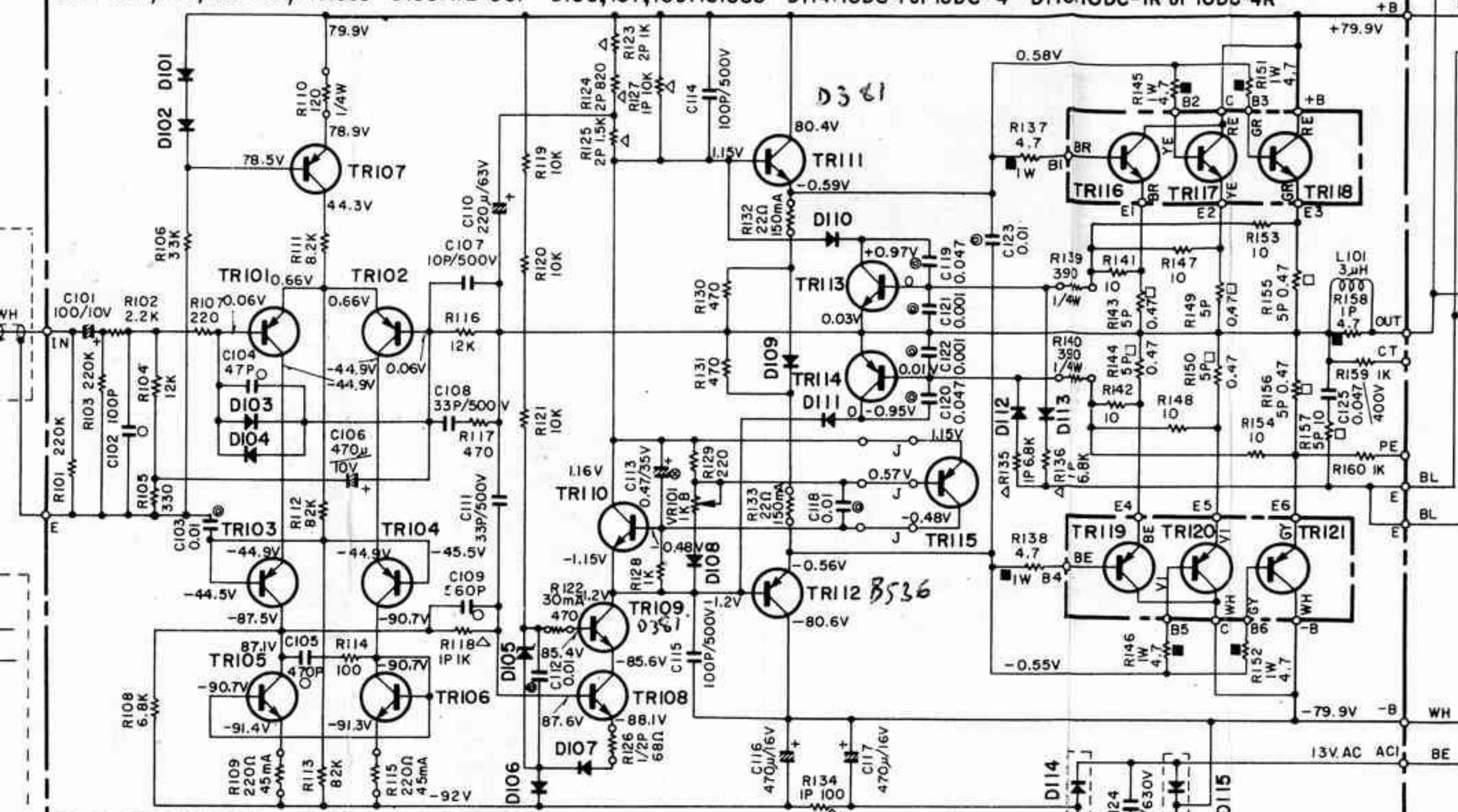


DIO1~104, 108, 110~113, : 1S1555 DIO5: WZ-061 DIO6, 107, 109: 1S1885 D114: 10DC-1 or 10DC-4 D115: 10DC-1R or 10DC-4R



TR101~104: 2SA872A TR105, 106, 108: 2SC1213A TR107: 2SA810B V TR109, 111: 2SD381(2) K, L  
 TR110, 113: 2SC1213A Cor D TR112: 2SB536(2) K, L TR114: 2SA673A Cor D TR115: 2SA682 Y  
 TR116~118: 2SC1586 O, Y TR119~121: 2SA909 O, Y

